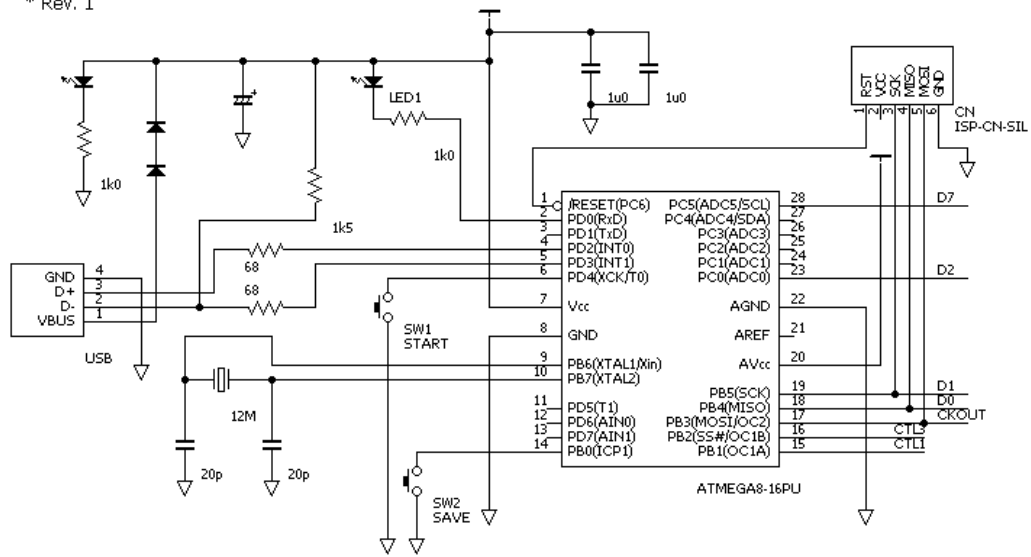
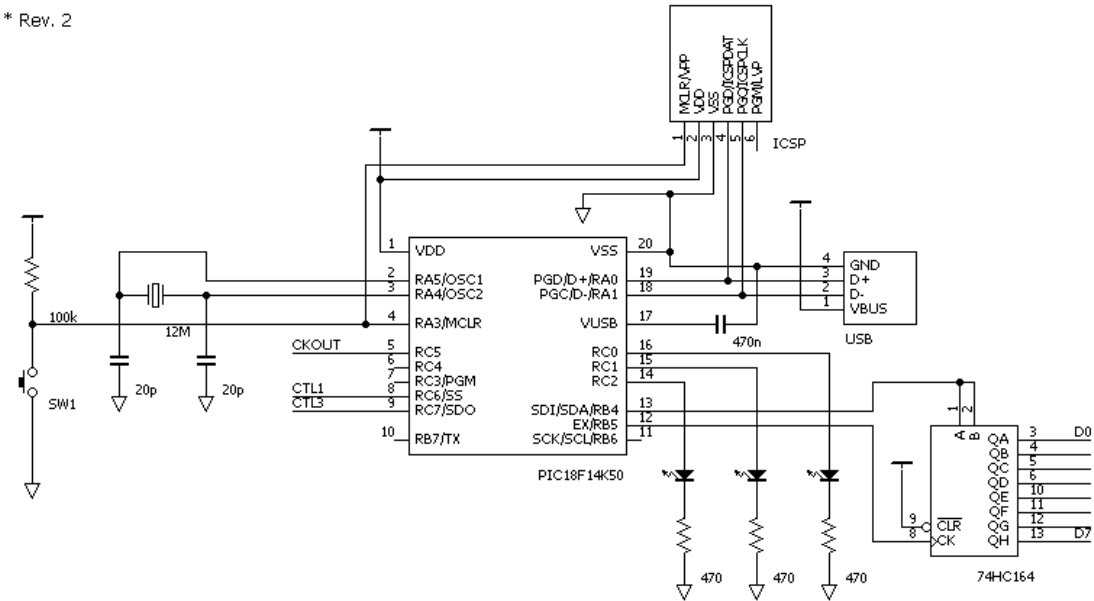


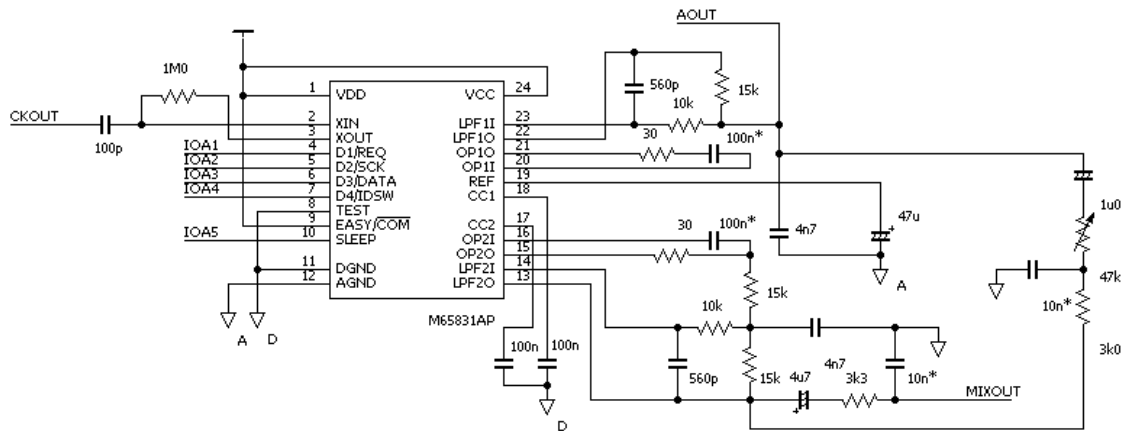
* Rev. 1



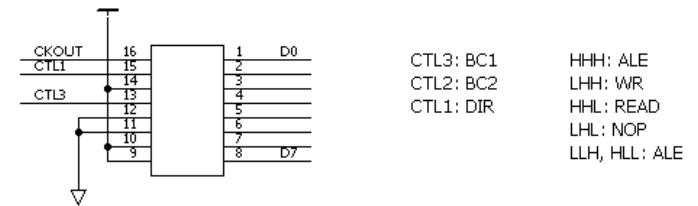
* Rev. 2



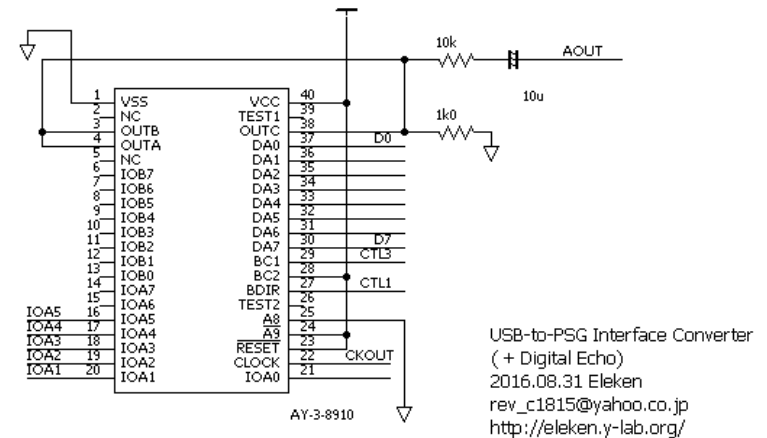
* Digital Echo (Optional)



* When Connected to TTL-PSG Board



* When Connected to PSG IC



USB-to-PSG Interface Converter
 (+ Digital Echo)
 2016.08.31 Eleken
 rev_c1815@yahoo.co.jp
<http://eleken.y-lab.org/>