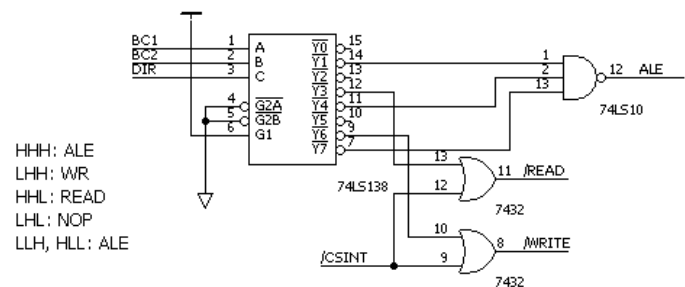
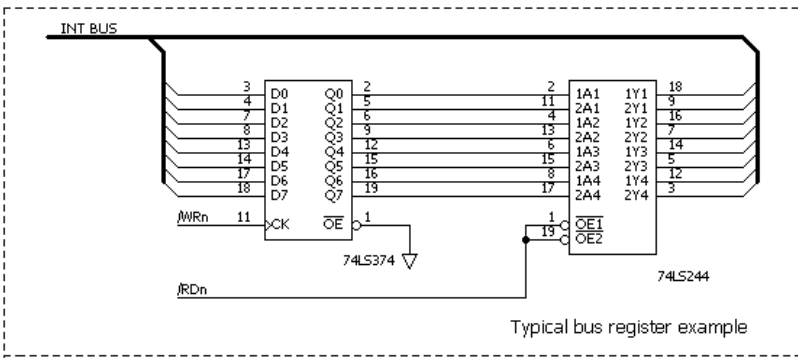
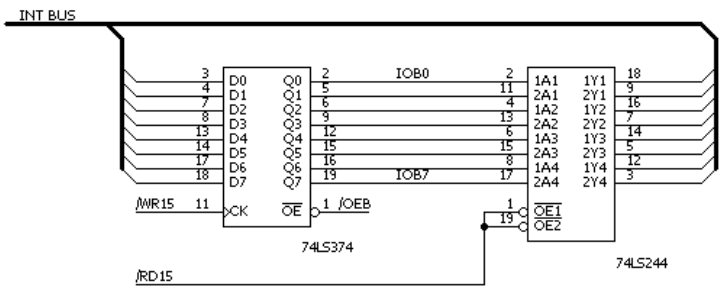
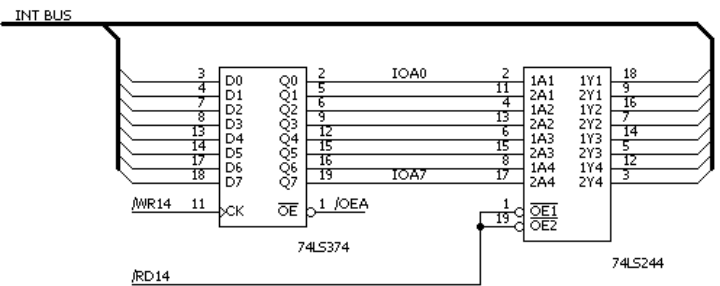


Register Interface

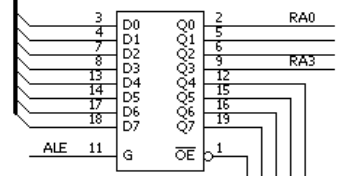


- HHH: ALE
- LHH: WR
- HHL: READ
- LHL: NOP
- LLH, HLL: ALE

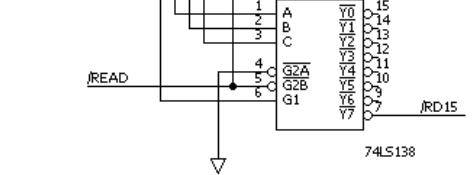
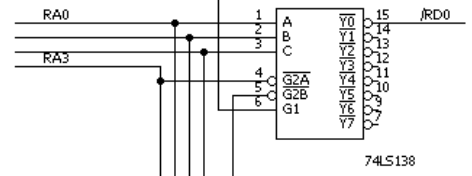
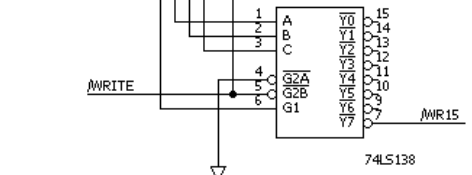
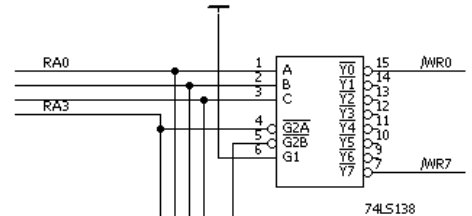
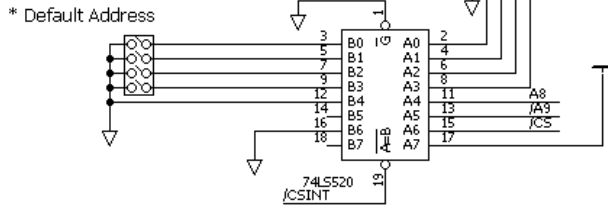
IO PORT



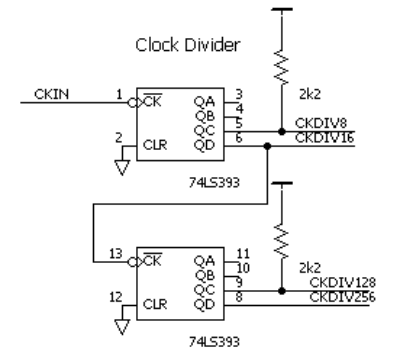
\*Pull-up with 3k3  
INT BUS



\*PU 20k



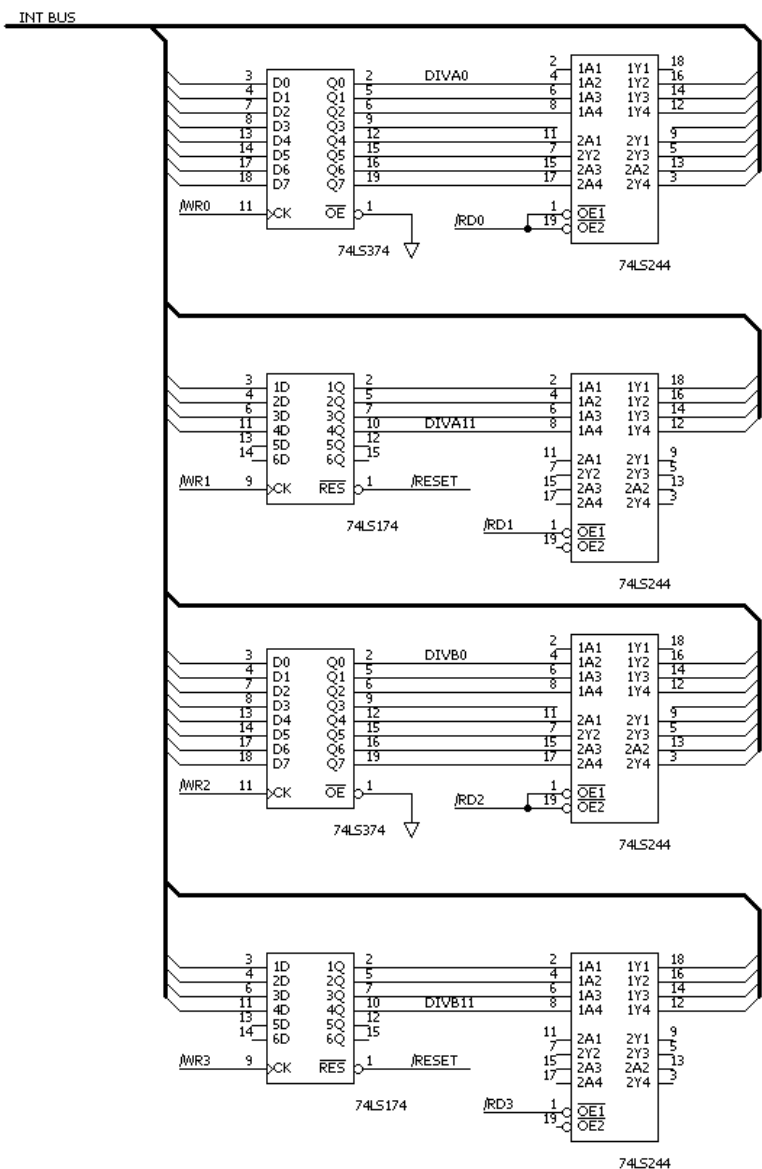
Clock Divider



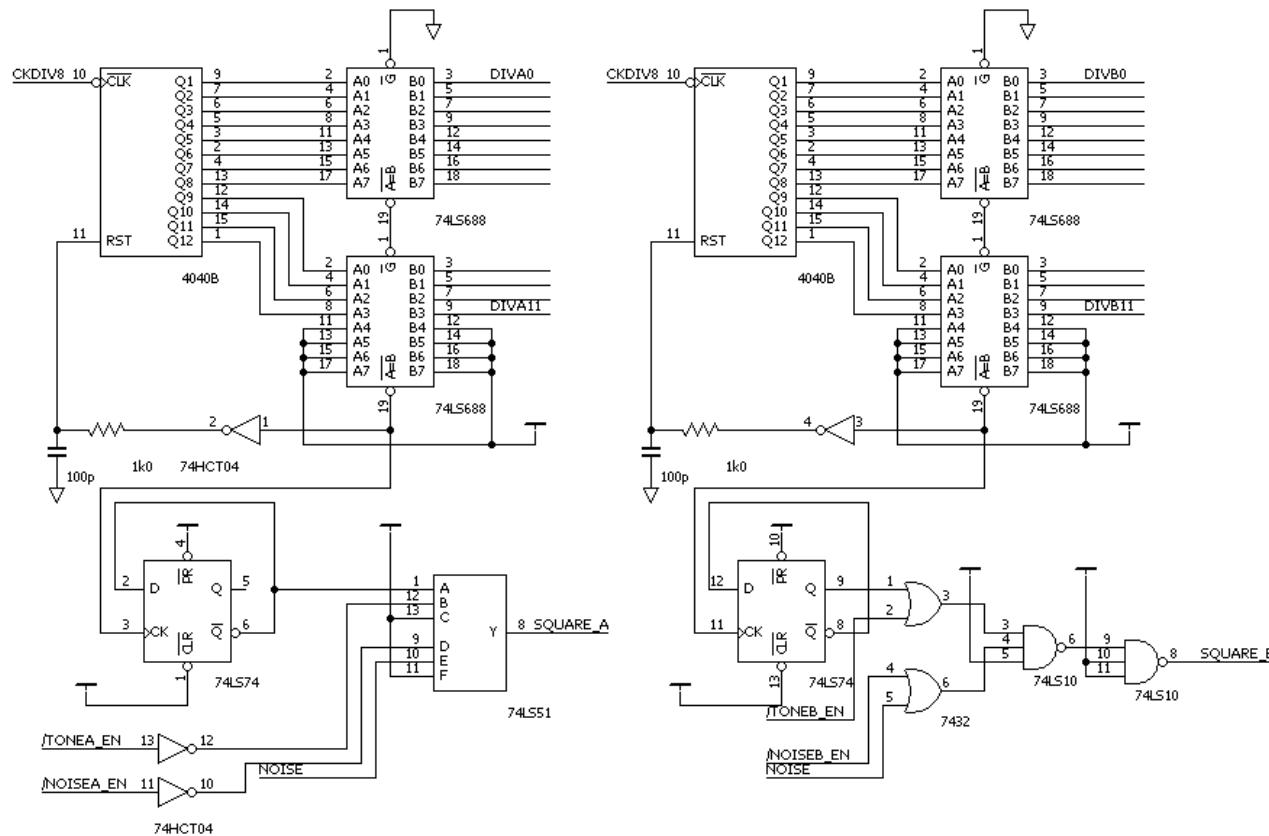
TTL Programmable Sound Generator  
2016.06.19 Eleken  
rev\_c1815@yahoo.co.jp  
<http://eleken.y-lab.org/>

Square Wave Generator

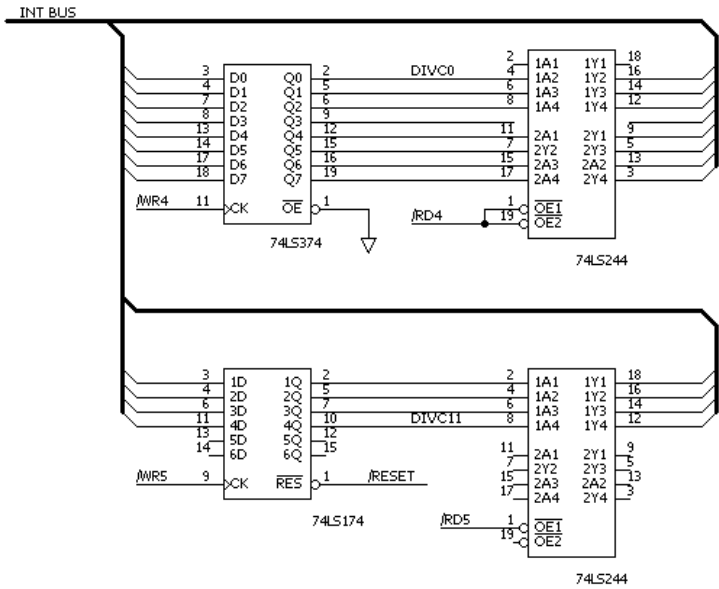
\*LED



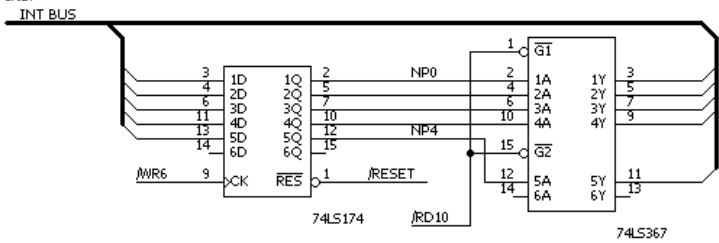
Divider



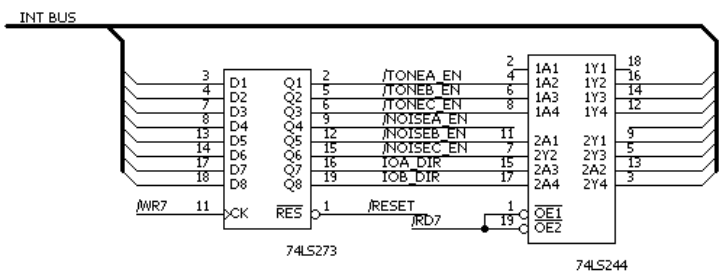
Square Wave Generator



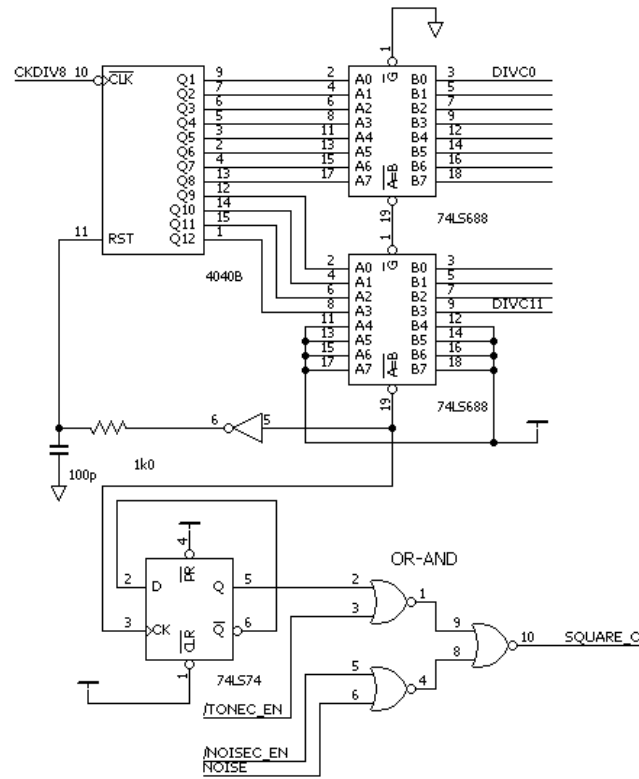
Noise Generator



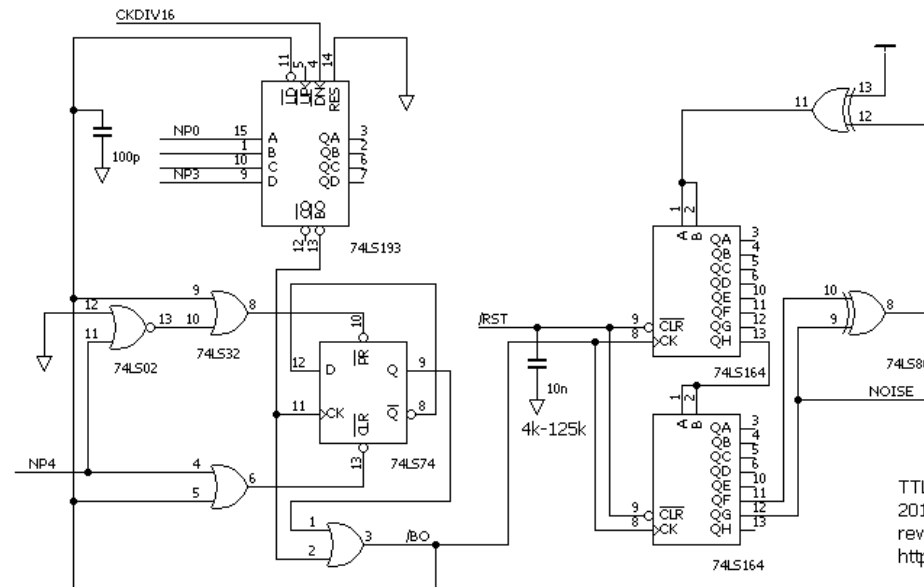
Enable



Divider

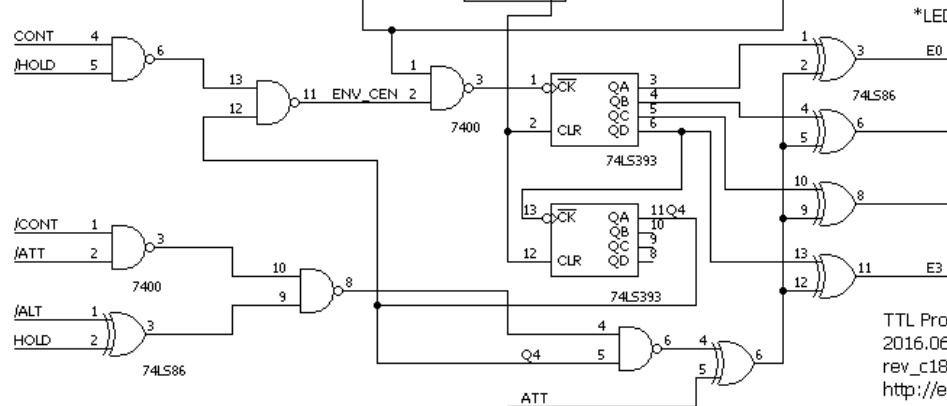
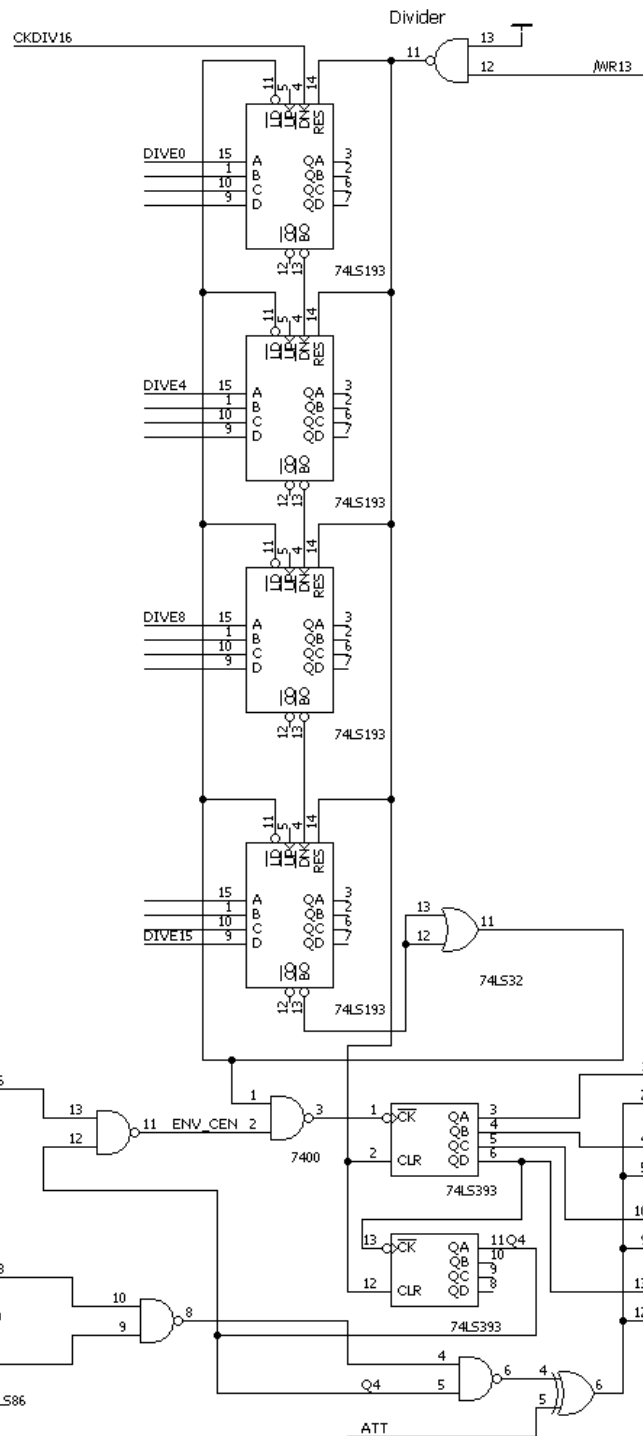
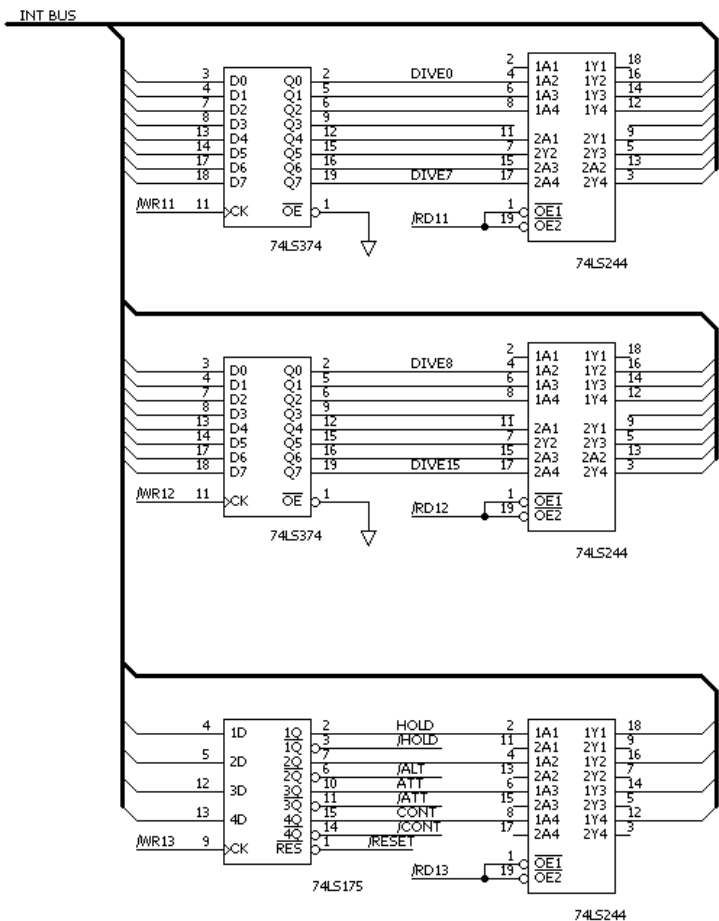


1/N Divider

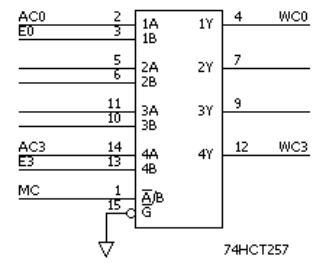
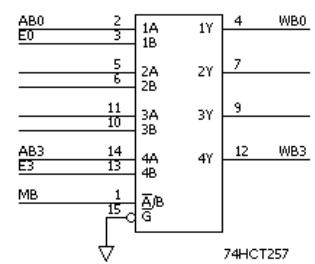
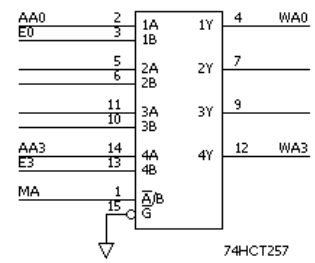
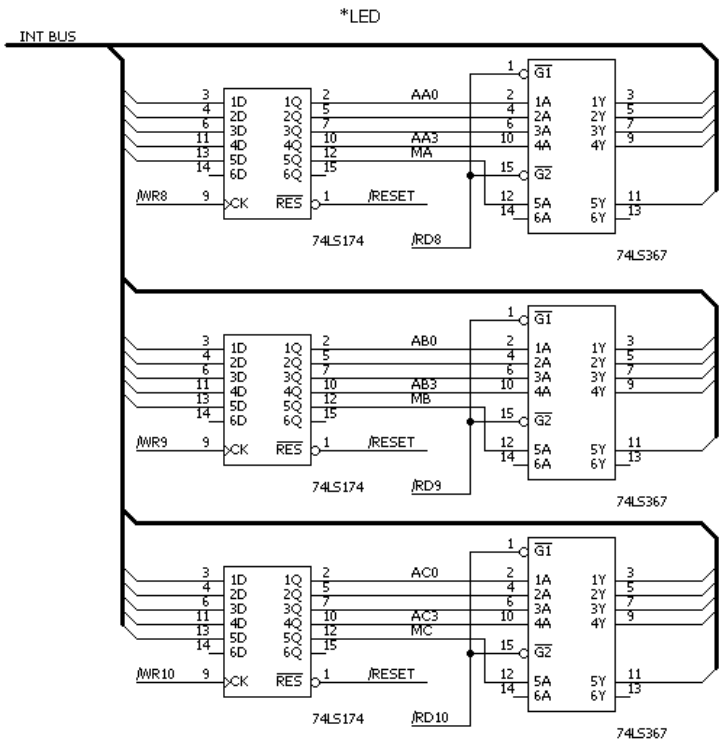


TTL Programmable Sound Generator  
 2016.06.19 Eleken  
 rev\_c1815@yahoo.co.jp  
<http://eleken.y-lab.org/>

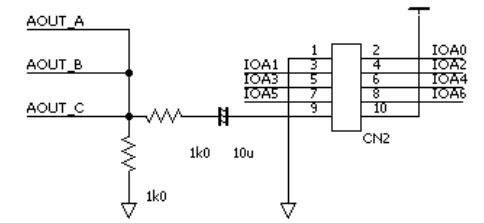
Envelope Generator



Amp Control



\* Output Connector Example



DAC

