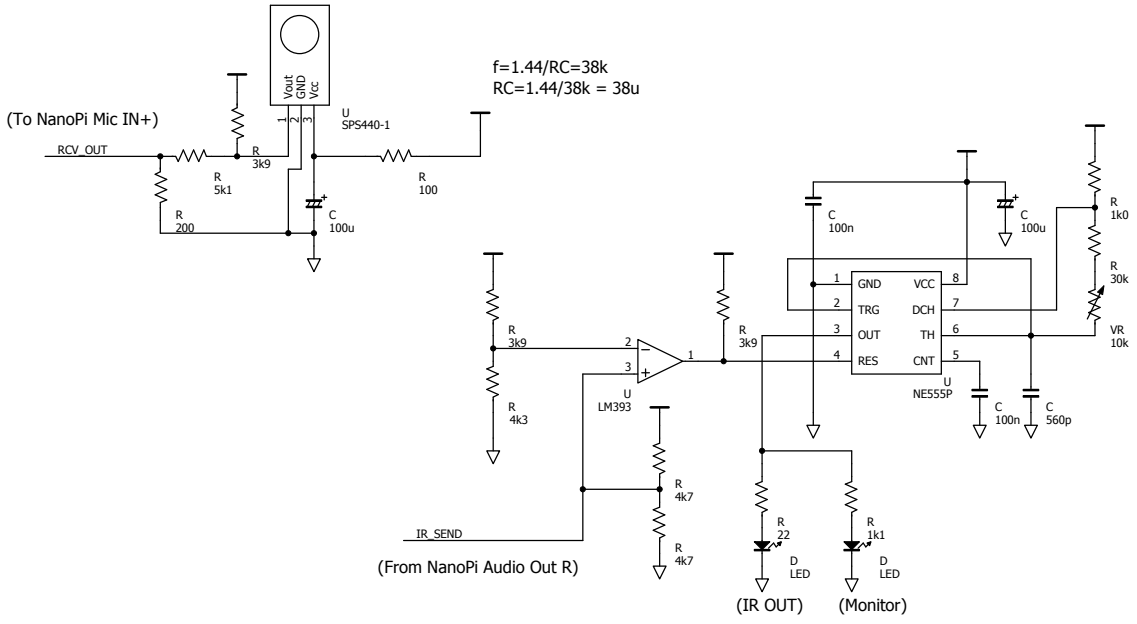


SPS440 is not suitable for this use because of unbalance between TWL and TWH.
 My device's TWL is about 100us longer than TWH.



NanoPi IR Remote Controller Server
 18/07/04 Eleken
 rev_c1815@yahoo.co.jp